



Sanitary
flow
equipment

VPK Aseptic Sample Valve Dimensions

Developed for taking samples in a sterile way, manufactured from AISI 316L stainless steel bar. Special configuration assures effective cleaning (CIP) and sterilization (with saturated steam) of product contact surfaces of valve and seating plug with the valve in closed position. Once installed, the sealing plug shuts off flush with the inlet port connection with a zero dead leg.

APPLICATIONS

The VPK sampling valve range has been designed for sterile sampling application in Chemical and Pharmaceutical Industries. It's compact design allows easy installation on small vessels or process lines where is necessary FDA compliance.

Features:

- Steamable in line
- High temperature and pressure resistant
- Meets FDA specifications
- Full material traceability

Operating conditions:

Maximum working pressure 10 barg
Working temperature 150°C

Material:

- | | |
|---------------|---------------------------|
| 1 valve body | AISI 316L stainless steel |
| 2 header | AISI 316L stainless steel |
| 3 spindle | AISI 316L stainless steel |
| c 4 diaphragm | TFM – Silicone |
| 5 spring | AISI 302 stainless steel |
| 6 handle | Delrin (autoclavable) |

T, X

Execution:

- | | |
|-------------------|----|
| manual wheel | MC |
| manual lever | ML |
| lever auto return | MR |
| pneumatic | PN |

Connections:

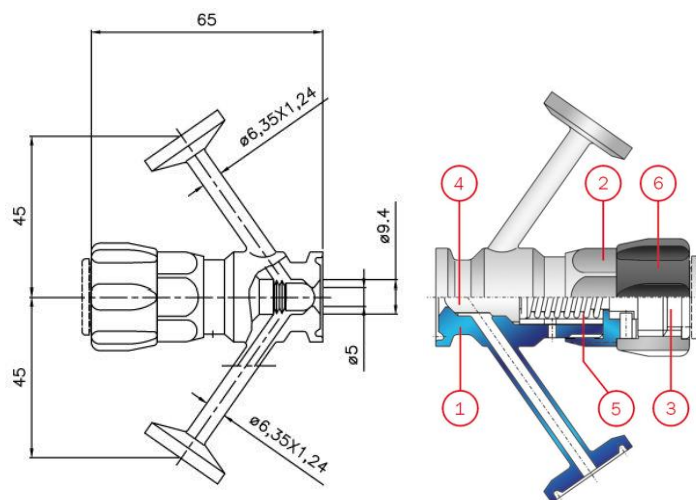
- A Inlet 1/2" up to 2" clamp
Ø19mm butt weld
1/4", 3/8" or 1/2" BSP screw
Ingold
flanged
3/8" swivel nut

AG, AH, AJ, AM, AN
QC
LC, LE, LG
ZA
S..

- B outlet & CIP / SIP 1/2" clamp
to be weld Ø6,25x1,24mm
hose barb Ø6,25mm
quick connect
swickle connection

AG
RB
PB
ZG

- E optional INDUCTIVE switch



Surface finish:

wetted surface finish average $Ra \leq 0,5 \mu m$ or better

Marking / Documentation:

To guarantee full traceability some information will permanently be marked on the valve body: AR logo (manufacturer identification), material grade, max. working pressure (10 barg) and our internal code i.e. "14162307" where 14 denote manufacture year, 1623 denote a number of our internal work order and 07 is a serial number.

On request, AerreInox can supply the following validation document:

- EN 10204 3.1 material certificate
- Inside surfaces Ra Roughness certificates
- FDA certificate of conformity – CFR under title 21, paragraph 177.2600 for Silicone and paragraph 177.1550 for TFM PTFE
- PED 97/23/EC certificate of conformity
- ATEX 94/9/CE certificate

Quality control:

The Quality Assurance system guarantees the control and traceability at all stages of the manufacturing.

Get the information you need and more at : info@aerreinox.it

In the interests of development and improvement of the product, we reserve the right to change the specifications without prior notice.

Aerre Inox s.r.l.

26010 FIESCO Via Gerola n.4 -CREMONA- Italy
Tel. +39.0374.370828 Fax +39.0374.370833
e-mail : info@aerreinox.it http : www.aerreinox.it